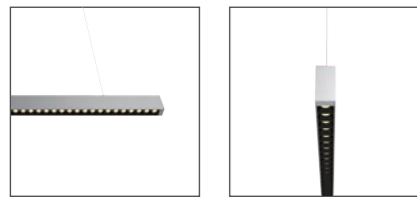


UGR
<16



SPECIFICATIONS

Voltage	220V-240VAC / 100V-240 VAC	
Width / Height	W35mm x H73mm	
Length	1208mm	2408mm
Power (W/m /ft)	21W/pc	42W/pc
Efficacy Up to	90lm/w	90lm/w
Control	Dali , 0-10V, on/off	Dali , 0-10V, on/off



SPECIFICATIONS

NICHIA RA 80	Color Temperature	3000K	4000K	5000K	6500K
	Lumen / Length	1717lm / 1.2m	1902lm / 1.2m	1902lm / 1.2m	1902lm / 1.2m
NICHIA RA 90	Color Temperature	3000K	4000K	5000K	6500K
	Lumen / Length	1516lm / 1.2m	1680lm / 1.2m	1680lm / 1.2m	1680lm / 1.2m

Note:

- The given data are typical values in 50deg TRI Lens+Louver kit. Due to tolerances of the production process and the electrical components, values for light output and electrical power can vary up to 10%.
- 15% less on luminous flux at Traic driver,DALI and 0/1-10V driver, and -10% Non-Dim driver.
- Above data based on Non-Dimmable for all luminaires.
- More customized LED and CCT available.

ORDERING INFORMATION

LUMINAIRE	FINISH	LENS	LENGTH	COLOR QUALITY ¹	COLOR TEMP ²	CRI	INSTALL ACCS.	IP GRADE	CONTROL OPTOINS	
U357328	W White	T50R -Round in Square 50° TIR Lens in Square Louver	4- 1208mm	3 3-Step MacAdam Ellipse	30- 3000K	80 80+ CRI	P Aircraft cable pendant	22 IP22	D1- DALI D2- 0-10V D3- On/off	
	B Black		8- 2408mm		40- 4000K					90 90+ CRI
	S Silver		Fixed length only		50- 5000K 65- 6500K					

1. Blueview's standard is 3-Step MacAdam
 2. The listed Color Temperature is only available in CRI80+ in Nichia Chips. For more options, pls. check with your executive sales.
 3: Nichia's CRI 90+ option's is not the general inventory, the leading time is around 4weeks for it. Please check with your executive sales in details.

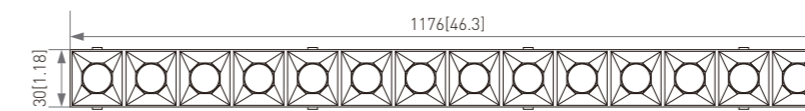
BEAM ANGLE



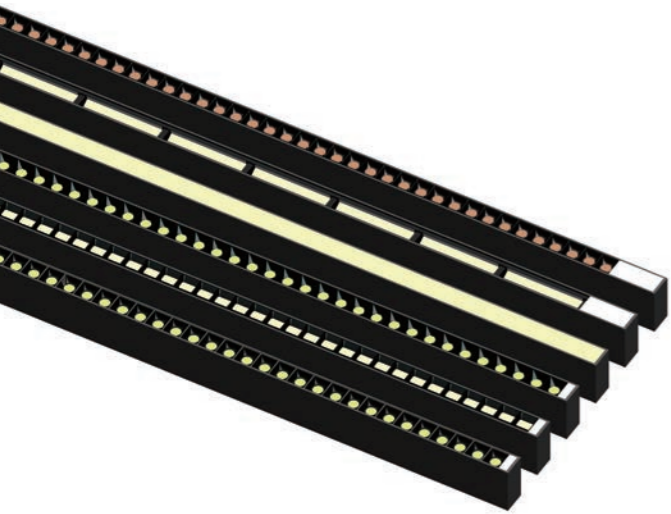
LED CHIPS AND DRIVER OPTIONS



DIMENSIONS



Unit:mm[in]



Slim Series P/M is a linear LED lighting fixture with internal drivers that features by various Optic options. It can be built hundreds of options depending on the lighting environment required based on various optical options. The 15° / 30° / 45° / 50° / 50x50° / 35x75° louver or TRI lens plus the Wall washer louver are satisfying most of the application. Fixture features 80+ or 95+ Ra LEDs. White color from 2700K to 6500K. Dimmable driver available in Dali, 0/1-10V type, also controllable options in DMX, PWM and 2.4G Static, Tunable white, RGBW solution available. The fixture is designed in multiple installation in Sus-pendant, Ceiling Mounted.

Fixture lengths are available in 2ft, 4ft, 5ft and 8ft, and custom lengths are available in 19.6ft.

- ▶ PC diffuser Mostly simulating the natural lighting
- ▶ Sus-Pendant, Ceiling Mounted, Trimless Recessed installation
- ▶ Designed and engineered with the architectural specifier in mind
- ▶ Refined construction and classic linear illumination

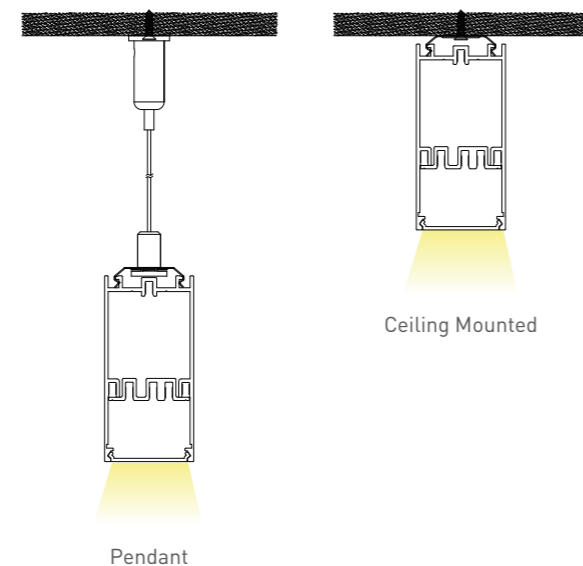
RANGE OF APPLICATIONS

General or local lighting in Office, Educational Institutions, Conference Rooms and many other workspaces.

ELECTRIC GEAR

Constant current 0-10V / DALI / Non-dim drivers, Setable white, Dual white / Dime2Warm, DMX, PWM lighting solution available.

INSTALLATIONS



ACCESSORIES

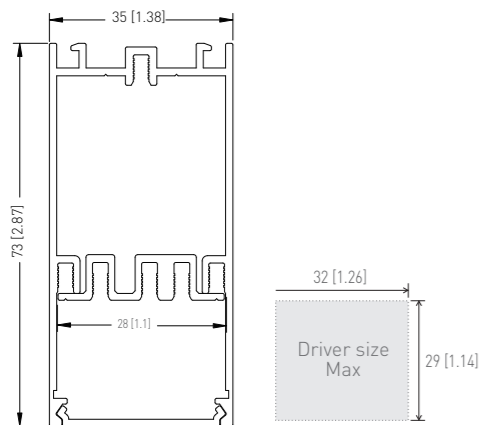


Aircraft Cable Pendant Kit



Ceiling Mounted Kit

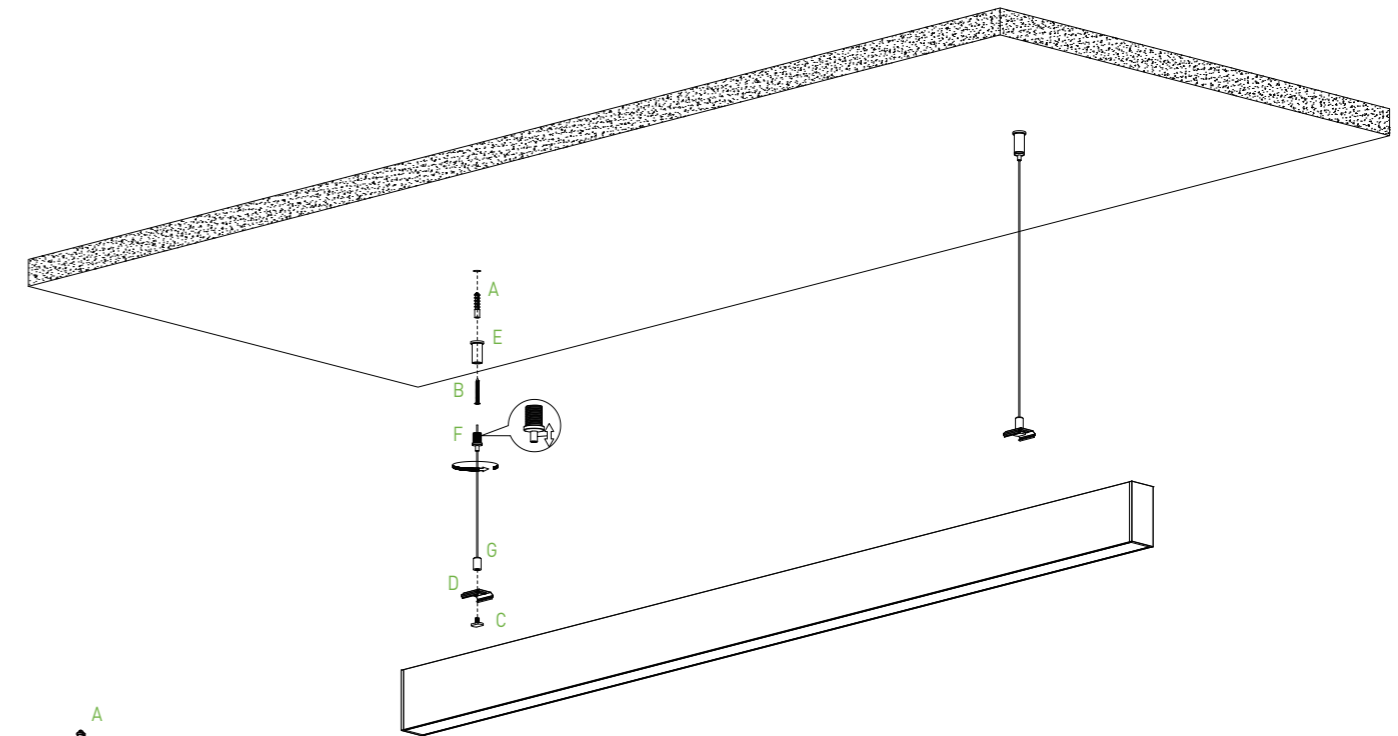
DIMENSION



Unit:mm[in]

PENDANT INSTALLATION

Caution: Turn off power to electrical box before installing!

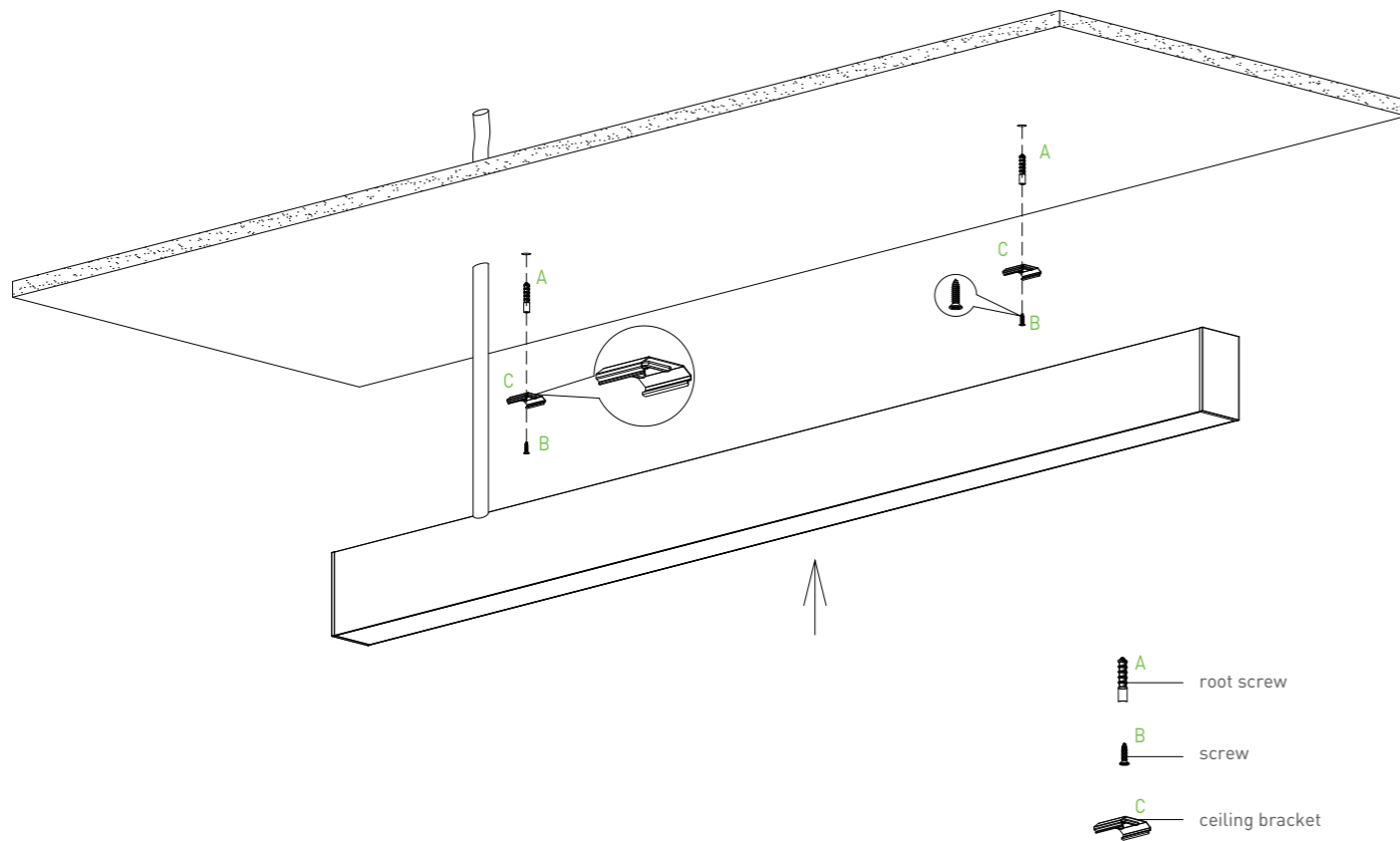


- A White root screw
- B screw
- C Slider
- D stainless steel buckle
- E Locking nut
- F Cable clips
- G Pendant nut

- 1 Determine the installation position of the luminaires, and drill 2 holes on the ceiling. Make sure these holes in the same straight line, and the distance between 2 holes should be less than Luminaire's length.
- 2 Insert the White Root Screw (A) in the drilled hole, and fix the ceiling locking nuts (E) into the Root Screw (A) by offered Screws (B).
- 3 Assemble pendant cable into the Pendant nut (E) and the Cable clips (D).
- 4 Adjust the pendant cable length by Cable Slips (D), make sure the luminaire will be in the satisfied height.
- 5 Lock the Pendant nut (E) into the base on the luminaires.
- 6 Adjust the base on the luminaire and make sure the pendant cable is 90degree vertical straight. Then the installation complete.

CEILING SURFACE MOUNTING INSTALLATION

Caution: Turn off power to electrical box before installing!



- 1 Determine the installation position of the luminaires, and drill 2 holes on the ceiling. Make sure these holes in the same straight line, and the distance between 2 holes should be less than Luminaire's length.
- 2 Insert the White Root Screw (A) in the drilled hole, and fix the ceiling brackets (C) into the Root Screw (A) by offered Screws (B).
- 3 Wiring the AC cables and insert the extra length into the ceiling.
- 4 Push the luminaire into the Bracket (C), make sure it's installed solid on the ceiling.

INSTRUCTIONS FOR INSTALLATION AND USE

WARNING : The security of this equipment is guaranteed only with compliance of these instructions, so you must keep them. Installation and all non-routine maintenance must be carried out only by qualified personal.

Disconnect power before taking any action on the fitting.

Blueview is not responsible for any damage to persons and/or property resulting from improper installation, misuse, or unauthorized modifications made to their products.

Obtain the correct power supply unit (accessory not included), install it in a remote location and prepare the cables for their connection

Connect to the power supply (PAYING ATTENTION TO OBSERVE POLARITY, parallel connection)

Explanation of the symbols on the label.

Due to a program of continuous improvement information is subject to change without notice.
© Blueview 2020 – All rights reserved. Made in China.

BLUEVIEW ELEC-OPTIC TECH CO.,LTD

Tel: +86-28-8148 0011 Fax: +86-28-8148 1258

Mail: sales@blueviewled.com

Web.: www.blueviewled.com

Add: No.1000, Konggang 2nd Konggang Road, Southwest Aviation Industrial Zone, Chengdu, China. 610207